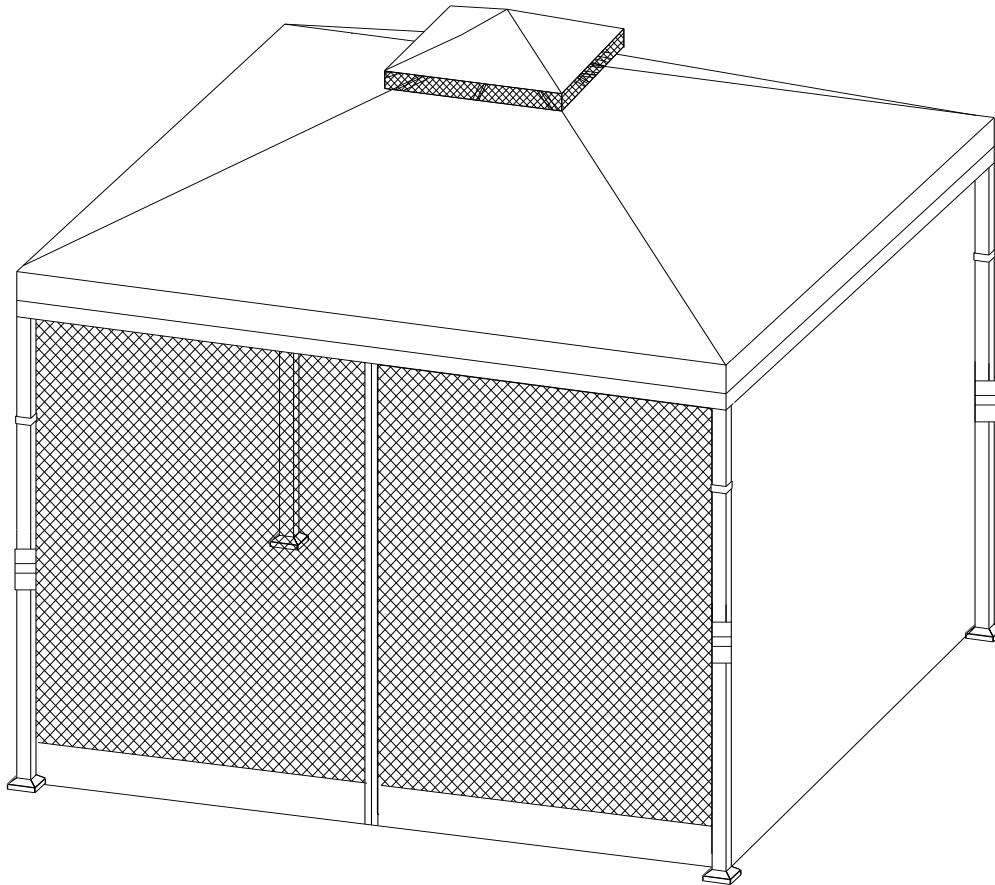


10'x10' Gazebo Ocala

Owner's Manual

OUTDOOR PATIO GAZEBO

MODEL #HFZP02026



Assemble Tips

1. Secure the assembly area. Keep children and pets away from the assembly area.
2. It is recommended that two or more adults are involved, to assemble the pergola.
3. Ensure that all connectors & poles are firmly secured in position fully. A unstable gazebo may collapse or damage unpredictability.



Fire Caution

1. Do not use candles, matches or open flames of any kind in or near.
2. Keep all flame and heat source away from this Tent Fabric. This tent is made with fabric that meets CPAI-84 specifications for flame resistance. It is not fire proof. The fabric will burn if left in continuous contact with any flame source.



Extremely Weather

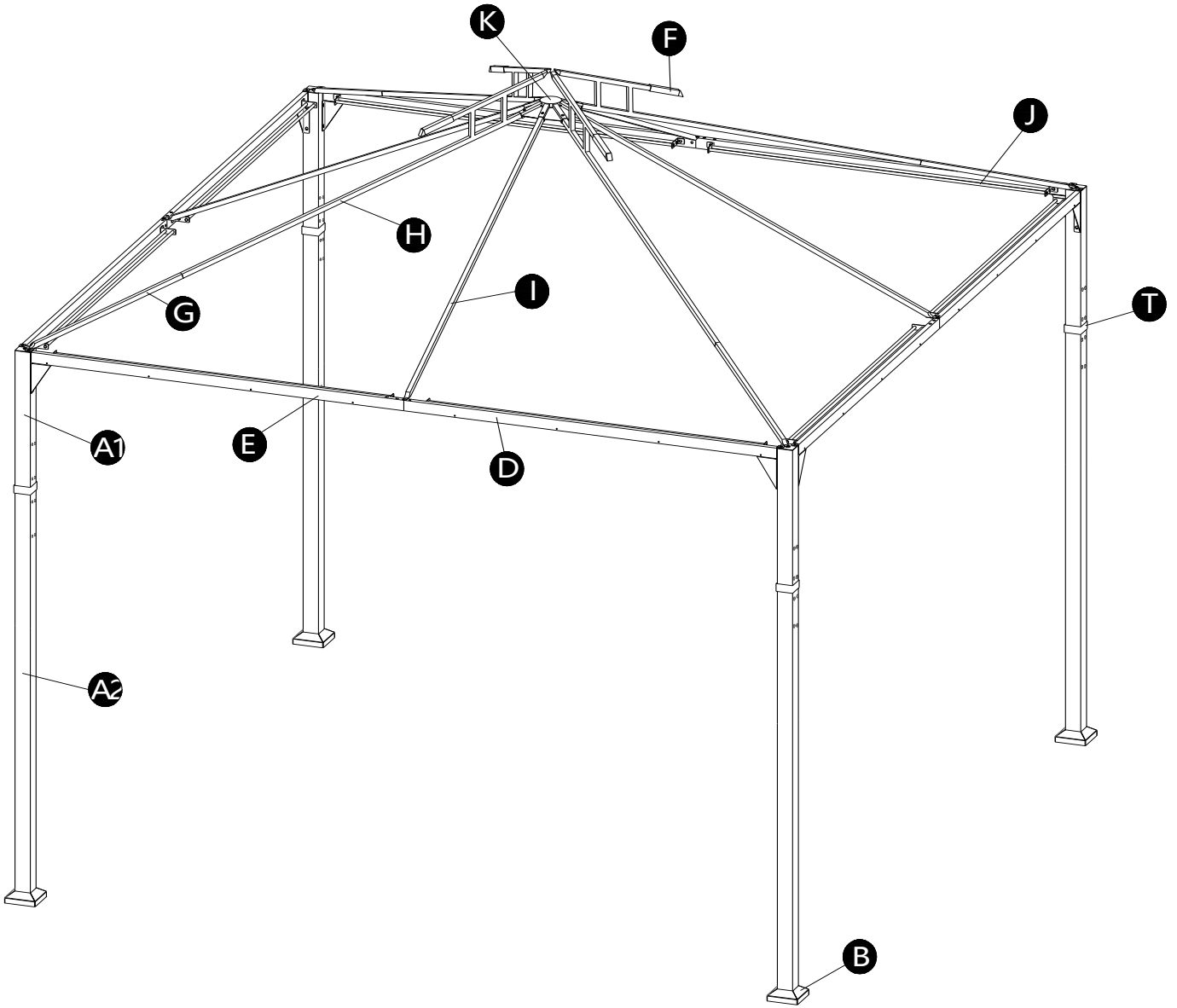
1. Do not leave the gazebo assembled when there is a risk of high wind, the top cloth may be blown away and the structure may be damaged.
2. Do not use the gazebo during an electrical storm.
3. Warranty does not cover damage due to extreme weather conditions.



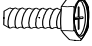

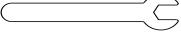
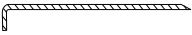


Contact Us

If you have any comments or suggestions, Please feel free to contact us.


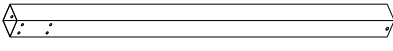
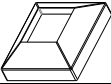
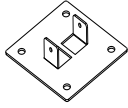
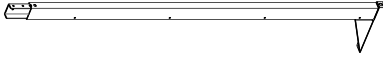


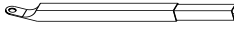

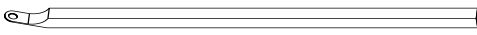
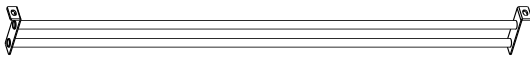
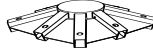
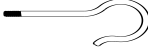
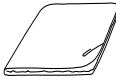

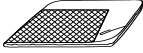
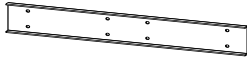
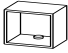

Service@hofzelt.com

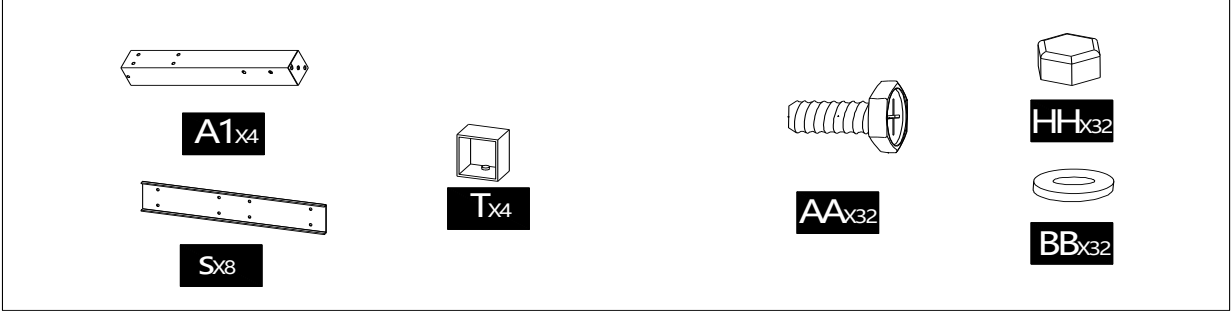
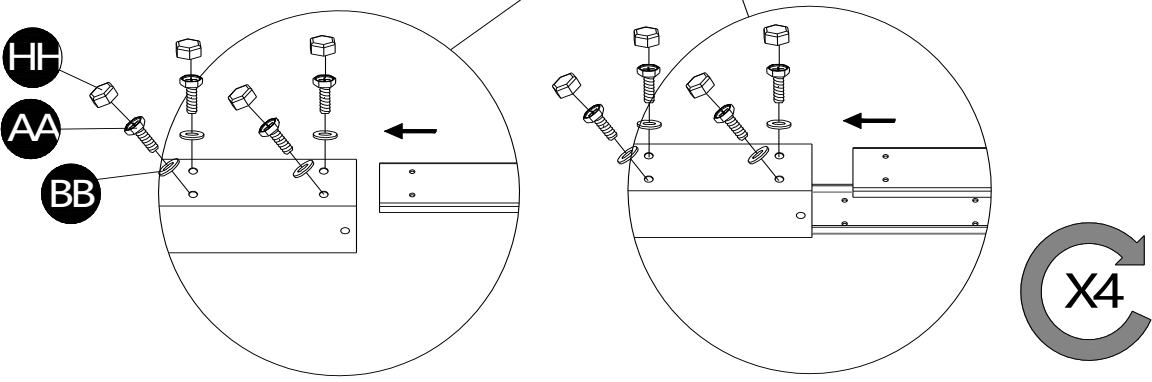
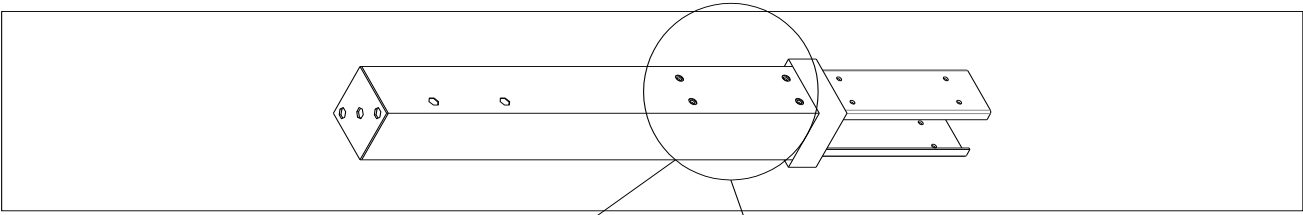
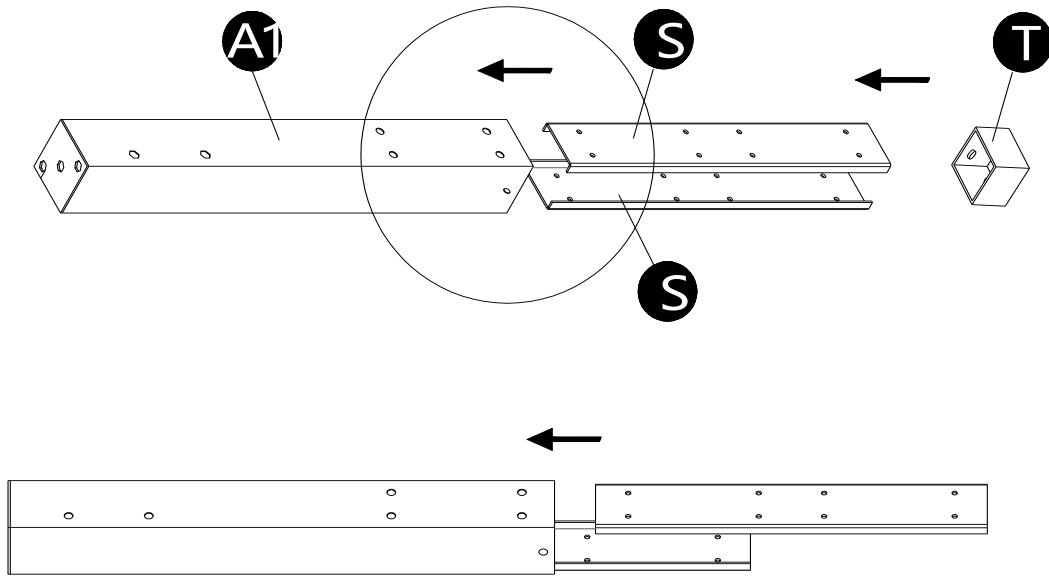


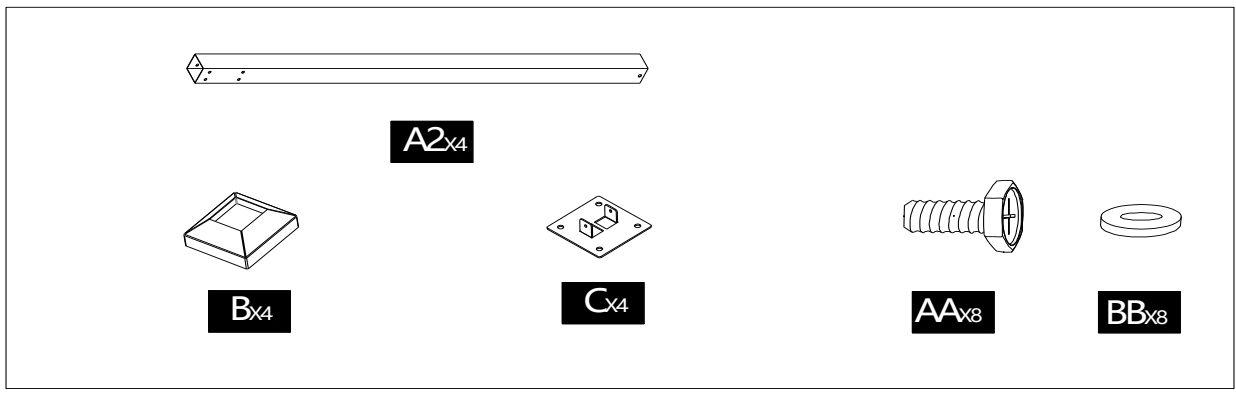
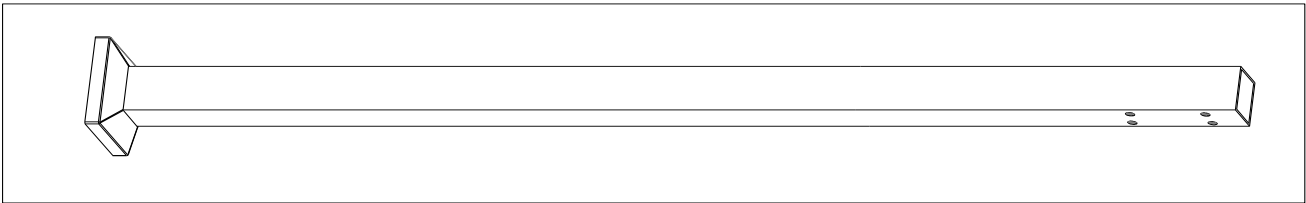
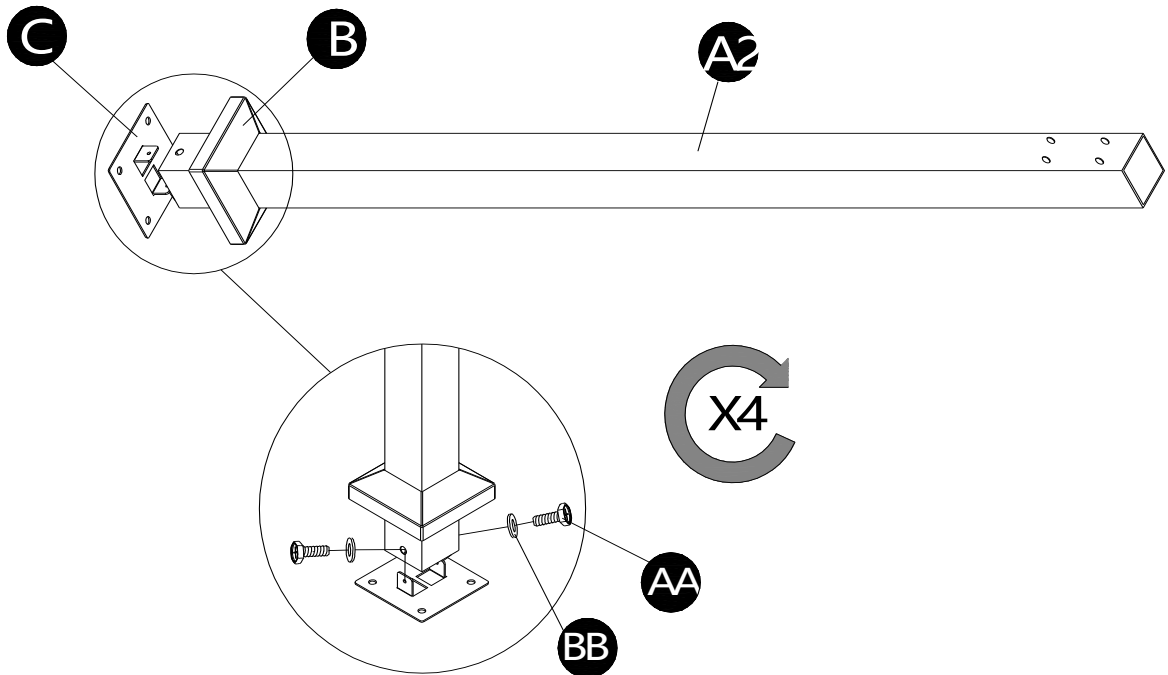
HARDWARE CONTENTS

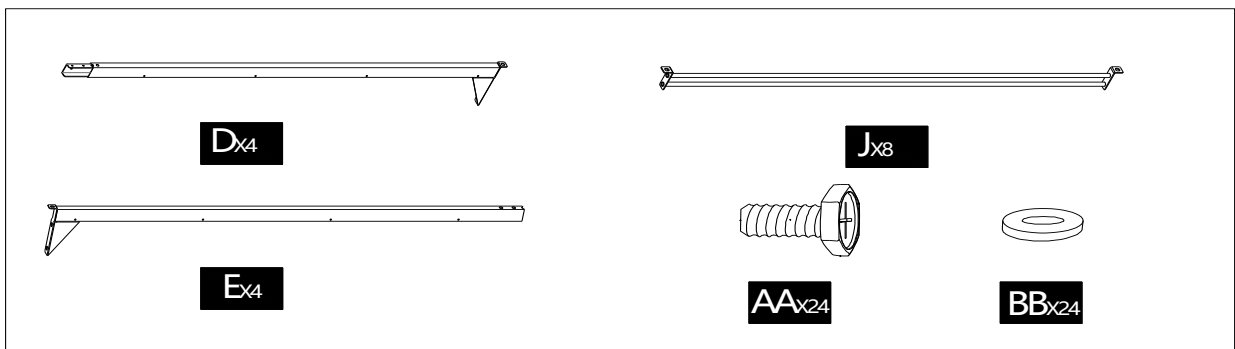
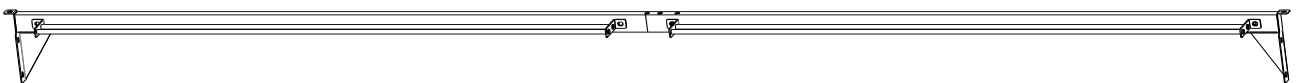
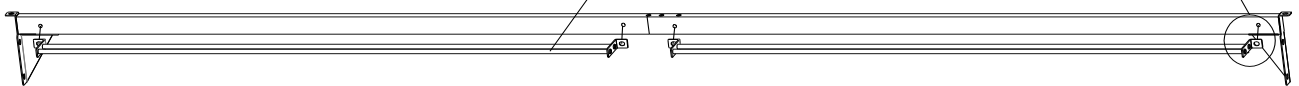
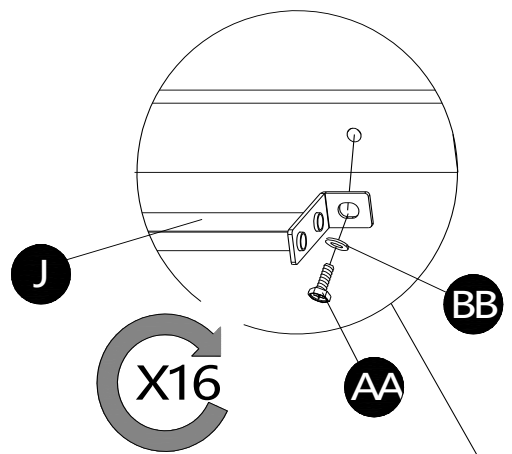
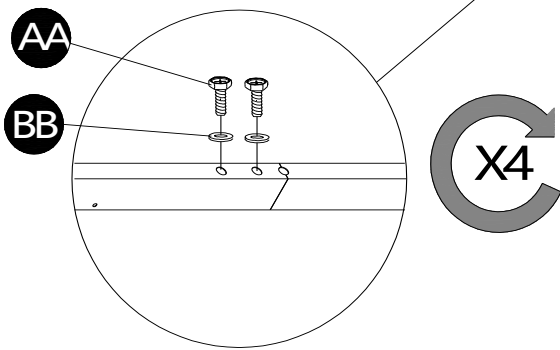
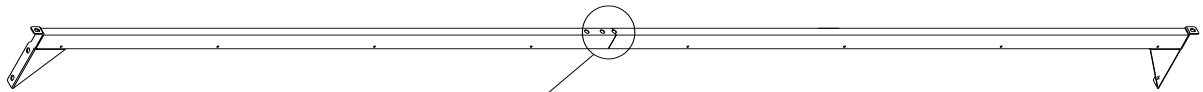
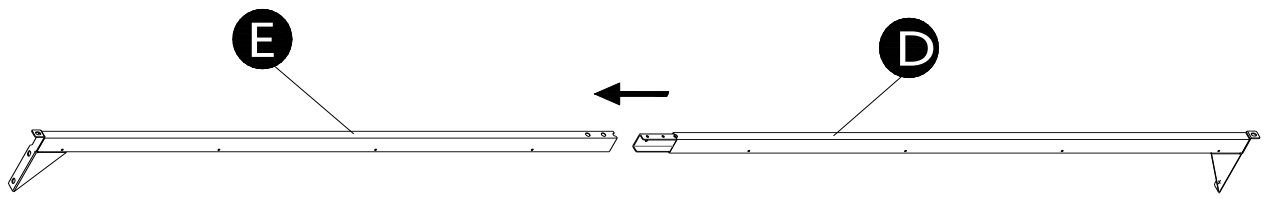
No.	DESCRIPTION	Draft	QTY	EXTRA
AA	M6x20 Bolt		128	7
BB	Washer		128	7
EE	Wrench		1	0
FF	Stake		8	0
GG	Plastic Ring		48	3
HH	Plastic Cap		64	4

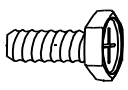
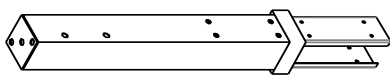
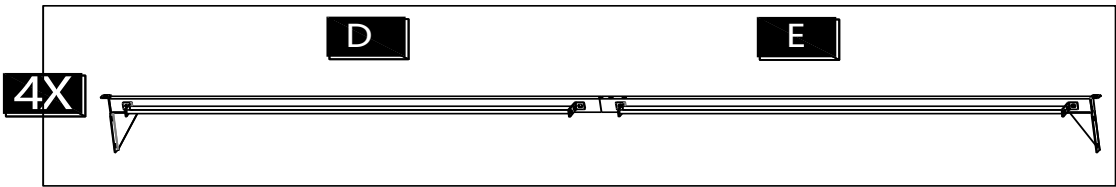
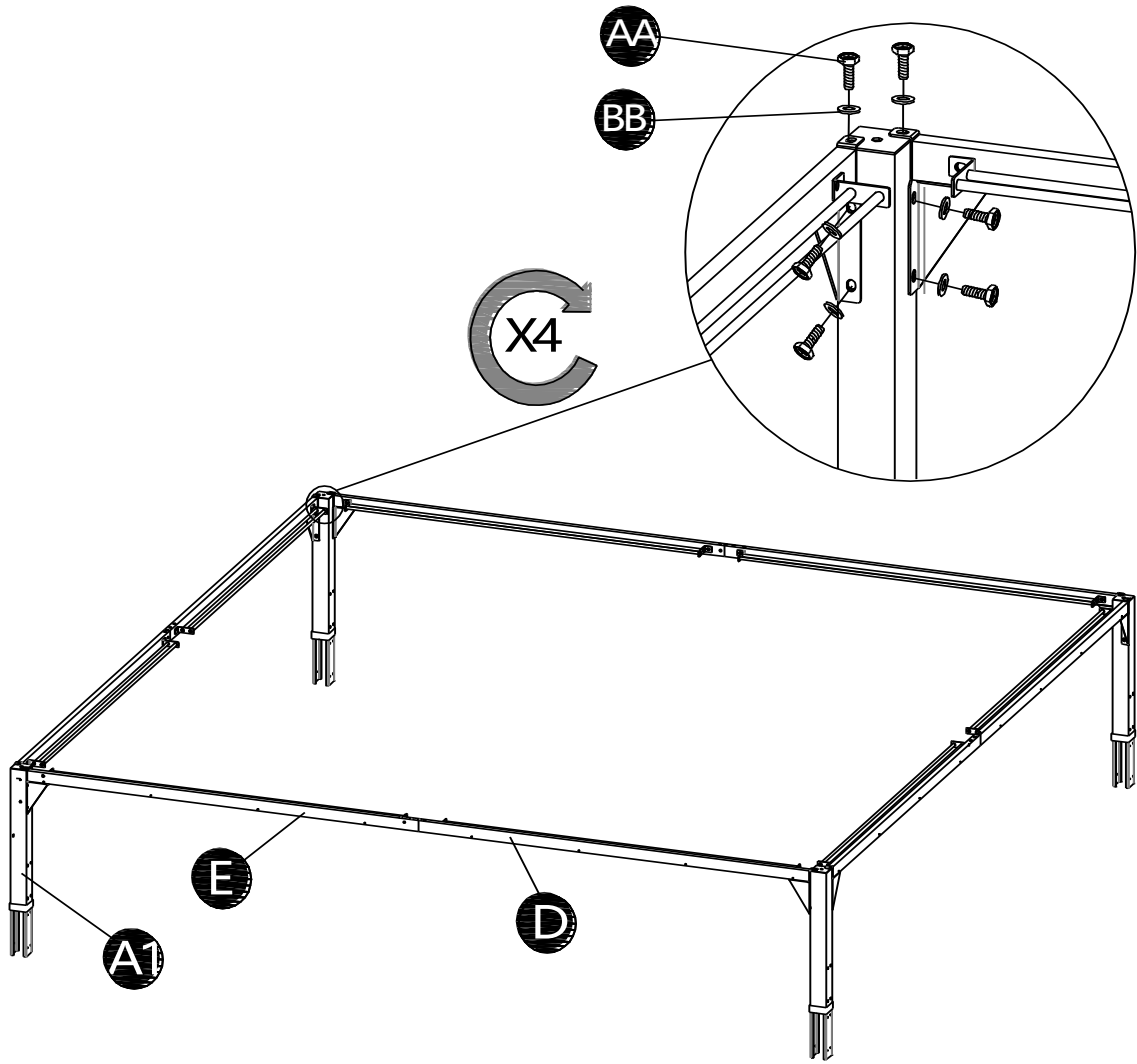
PACKAGE CONTENTS

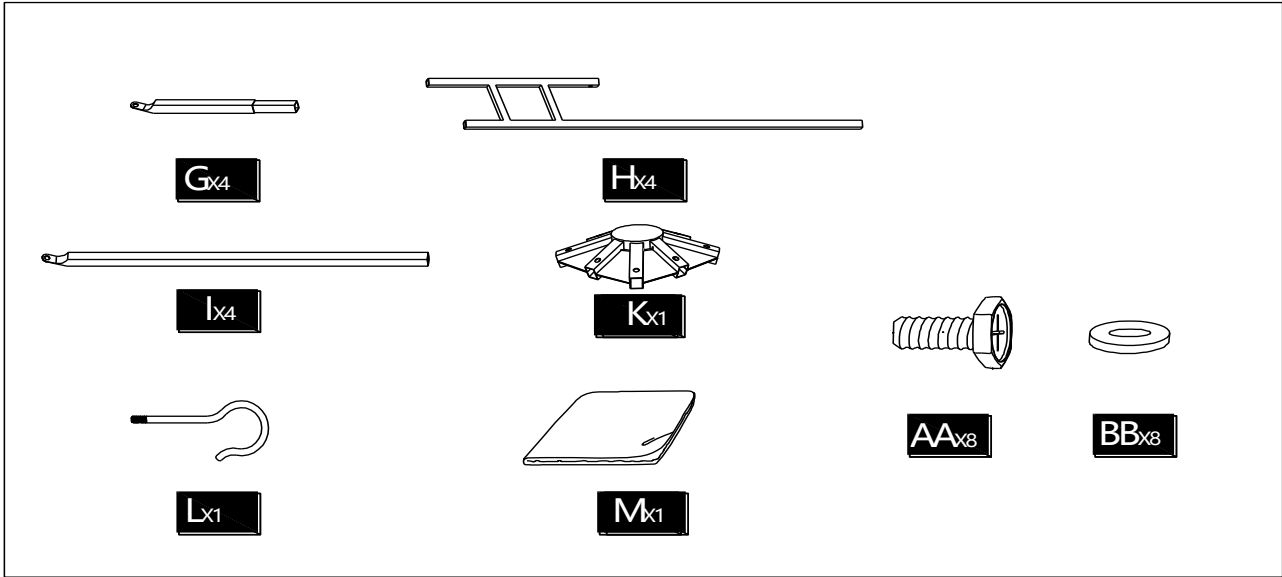
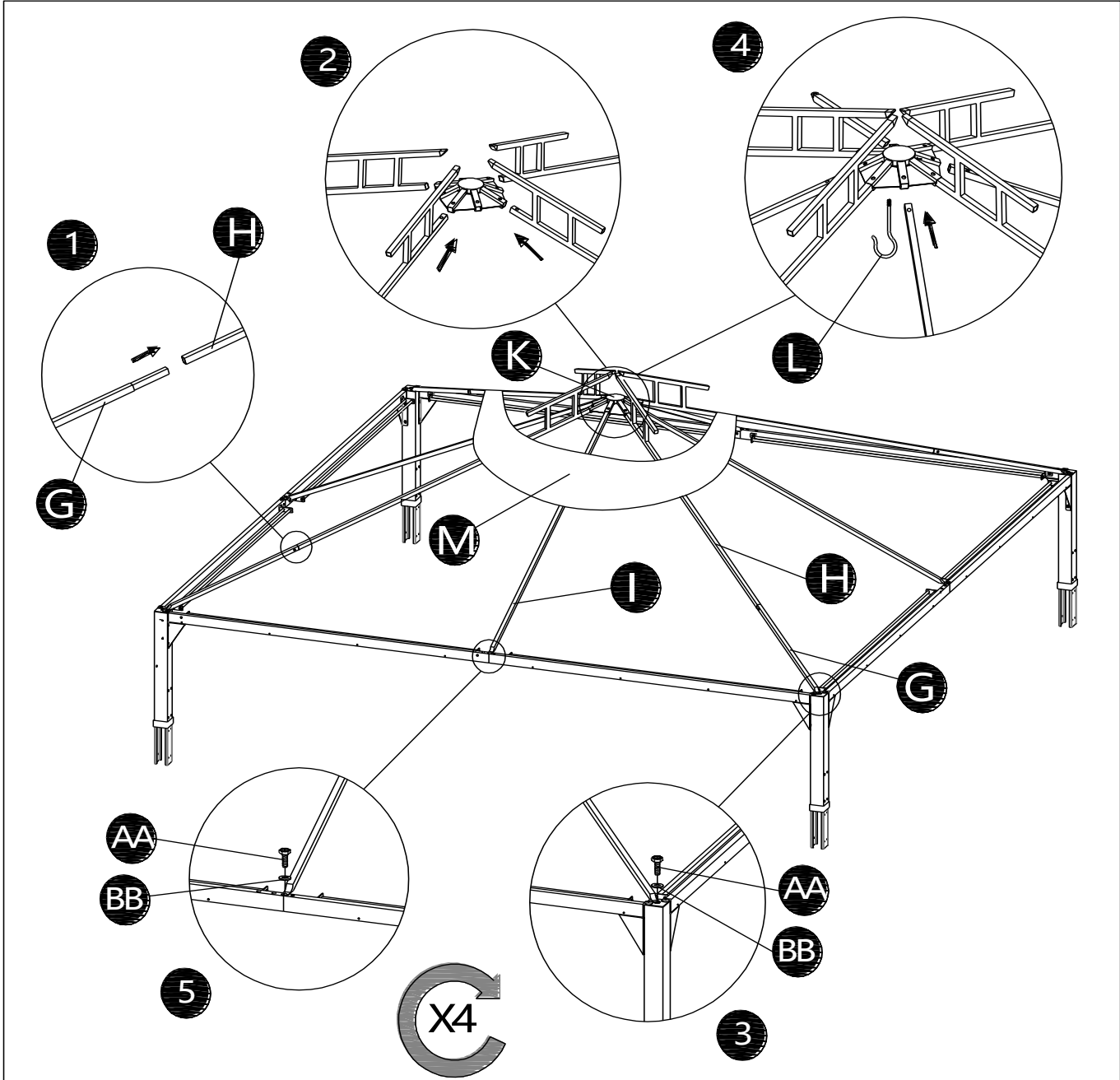
No.	DESCRIPTION	Draft	QTY
A1	Upper Post		4
A2	Bottom Post		4
B	Stake Cover		4
C	Stake Base		4
D	Beam 1 to connect Post		4
E	Beam 2 to connect Post		4
F	Adjustable Beam for Small Top		4
G	End Corner Beam		4
H	Up Corner Beam		4
I	Middle Beam		4
J	Mosquito Netting Pipe		8
K	Big Top Connector		1
L	Hook		1
M	Big Canopy		1
N	Small Canopy		1
O	Mosquito Netting		1
S	Post Connector		8
T	Plastic Connector		4
U	Side Wall		1

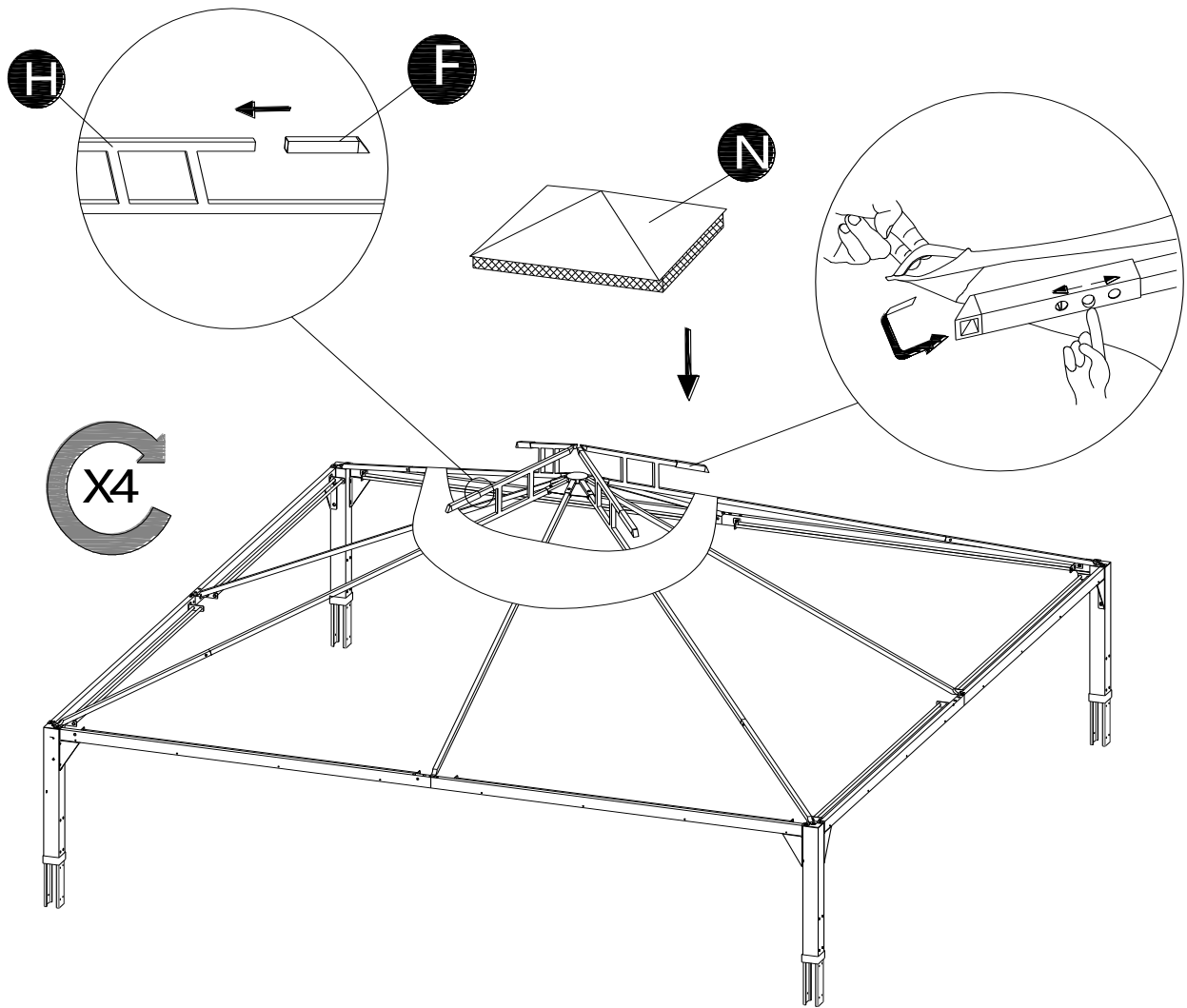






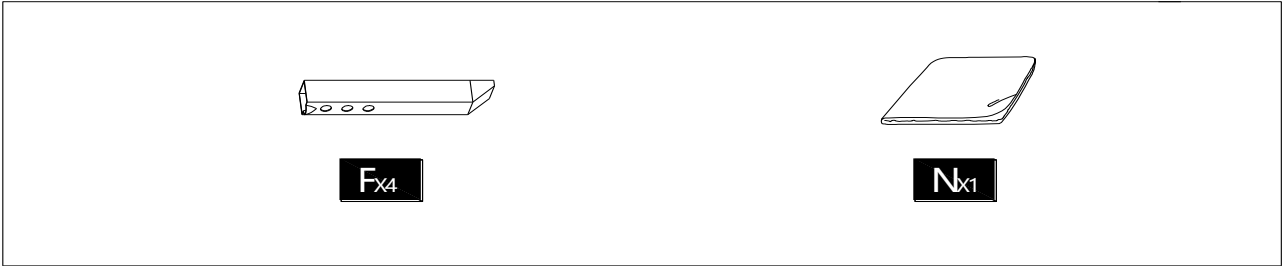


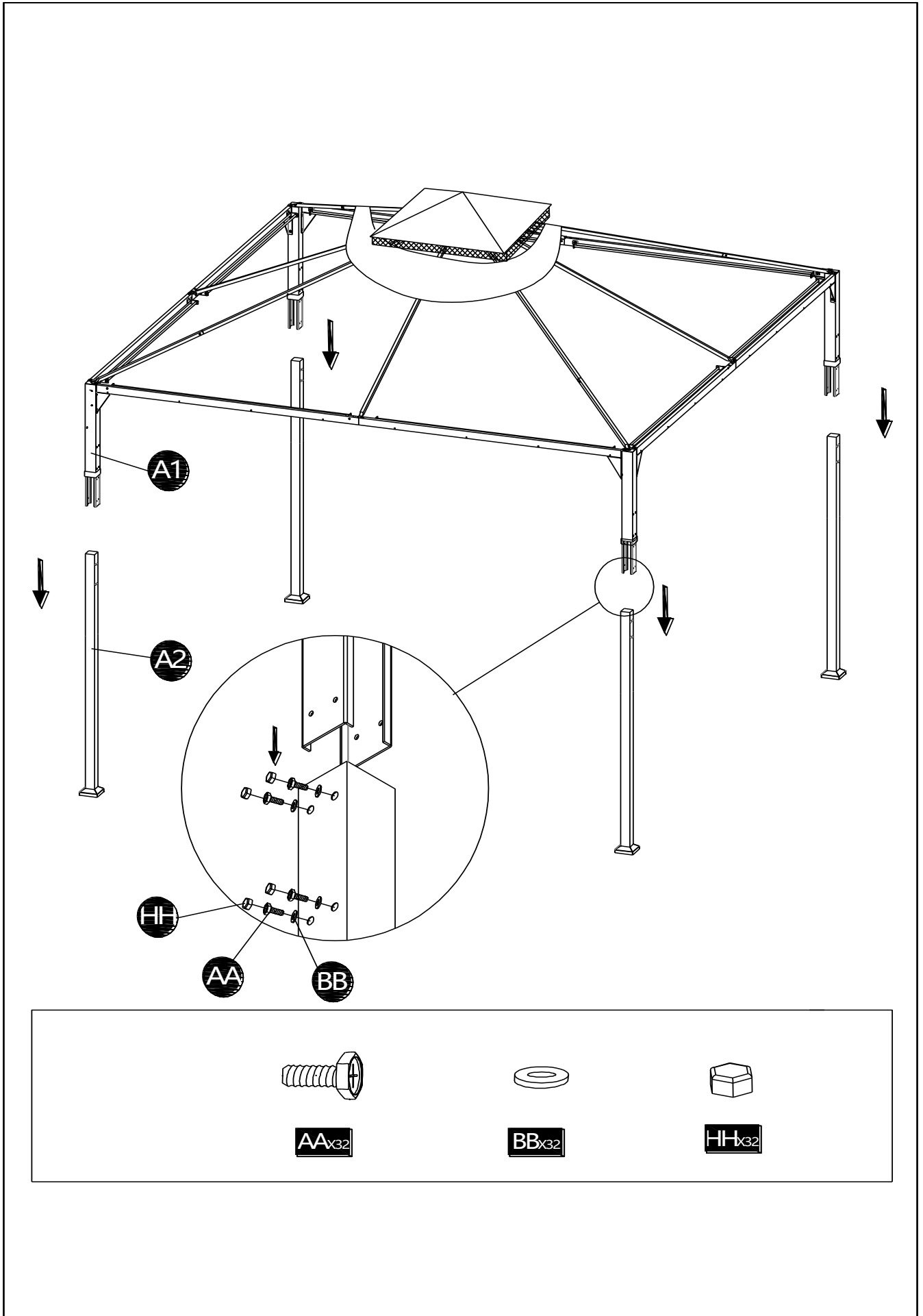


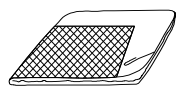
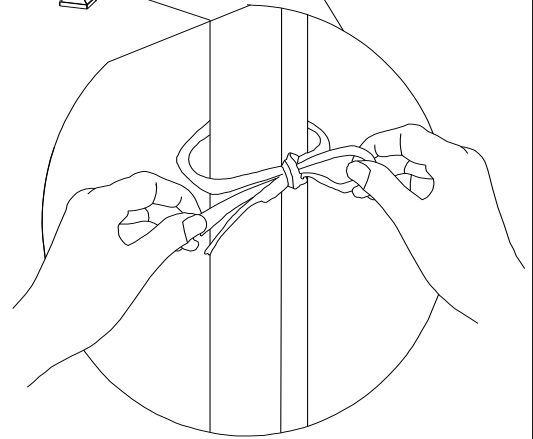
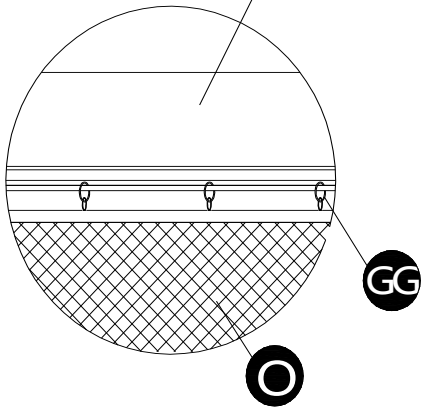
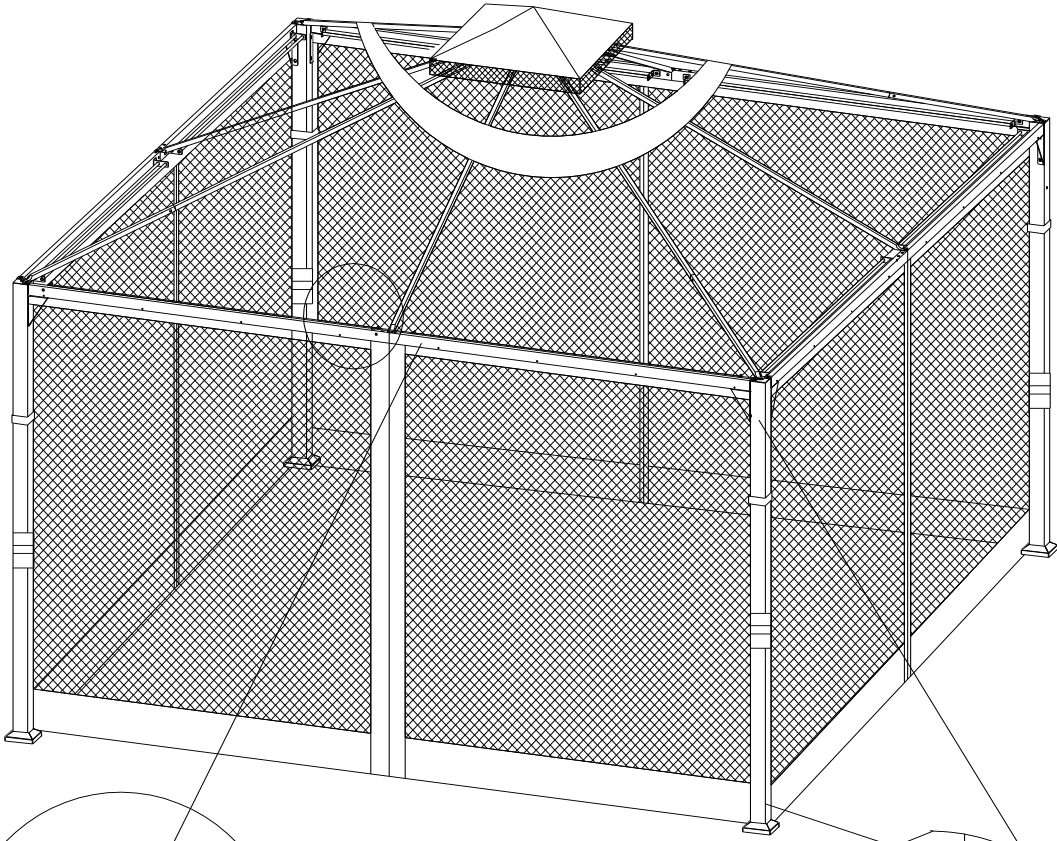


At the consideration of your safe, we designed the knock-down plan for our gazebo series, so that you will save the climbing part.

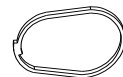
Please finish the gazebo installing on the ground first and then put up the bottom Post.







Ox1



GGx48

